

WOVEN WOODS

Dealer Product *Manual.*

Patterns · fold styles · valances · edge binding · liners

2026 EDITION · v1.0

Confidential — for authorized Superior dealers only





WHERE SERENITY MEETS CRAFTSMANSHIP

Elevate your space with the organic elegance of our handwoven natural shades. Expertly crafted from sustainably sourced materials, including bamboo, jute, flax, and ramie, each shade embodies the timeless harmony between nature and design.

Gently filtering sunlight through their delicate weaves, these shades create a soft, inviting glow that transforms any room into a heaven of calm. The textures and warm, earthy tones of the natural fibers bring a touch of the outdoors inside, enriching your home with a tranquil, layered aesthetic.

Beyond their visual appeal, these shades offer thoughtful functionality. Choose from cordless convenience or discreet motorization for effortless light control, while customizable options allow you to tailor privacy and illumination to your lifestyle.

Designed to complement both modern and classic interiors, our natural shades are more than window coverings, they are a reflection of mindful living, artisanal quality, and enduring style.

NO	PATTERN NAME	PATTERN COLOR	PRICE GROUP	MATERIAL	WEIGHT OZ/YD ²	EDGE BINDING RECOMMENDATION*
1	Harmony	Pebbles	A	5% Yarn+70% Paper+25% Bamboo	21.52 oz/yd ² ±10%	0
2	Lantana	Winter	A	5% Yarn+40% Linen Yarn+40% Paper+15% Bamboo	23.96 oz/yd ² ±10%	0
3	Tribeca	Rice	A	50% Bamboo+50% Paper Cord	20.88 oz/yd ² ±10%	0
4	Sundance	Slate	A	50% Bamboo+50% Paper Cord	20.88 oz/yd ² ±10%	0
5	Fresno	Jet	A	50% Bamboo+50% Paper Cord	20.88 oz/yd ² ±10%	0
6	St James	Whisper	A	60% Bamboo+40% Paper	41.47 oz/yd ² ±10%	0
7	Duval	Cloud	A	60% Bamboo+40% Paper	37.12 oz/yd ² ±10%	0
8	Azure	Grey Wind	B	50% Bamboo+50% Jute	43.45 oz/yd ² ±10%	0
9	Newport	Sea Pearl	B	50% Bamboo+50% Jute	43.45 oz/yd ² ±10%	0
10	Dakota	Sesame	B	70% Jute Yarn+30% Bamboo	28.64 oz/yd ² ±10%	0
11	Harper	Warm Stone	B	5% Yarn+63% Jute+32% Bamboo	28.9 oz/yd ² ±10%	0
12	Portebello	Modern Gray	B	6% Yarn+32% Paper+31% Jute+31% Bamboo	22.49 oz/yd ² ±10%	0
13	Adelaide	Moonlight	B	5% Yarn+65% Linen Yarn+25% Paper+5% Bamboo	18.35 oz/yd ² ±10%	0
14	Mesa	Shadow	B	5% Yarn+25% Jute+30% Jute+30% Paper+10% Bamboo	19.41 oz/yd ² ±10%	0
15	Palm Canyon	Beachcomber	B	10% Yarn+80% Paper+10% Bamboo	14.05 oz/yd ² ±10%	0
16	Lake Shore	Cobble	B	5% Yarn+63% Jute+32% Bamboo	29.83 oz/yd ² ±10%	0
17	Balfour	Mist	B	5% Yarn+75% Paper+10% Jute+10% Bamboo	19.03 oz/yd ² ±10%	0
18	Geneva	Straw	B	5% Yarn+80% Paper+10% Jute+5% Bamboo	16.37 oz/yd ² ±10%	0
19	Hyde Park	Cinder	B	5% Yarn+65% Linen Yarn+15% Paper+15% Bamboo	21.3 oz/yd ² ±10%	0
20	Aviles	Marlow	B	5% Yarn+32% Jute+63% Bamboo	32.4 oz/yd ² ±10%	0
21	Norfolk	Flint	B	5% Yarn+65% Linen Yarn+25% Paper+5% Bamboo	17.34 oz/yd ² ±10%	0
22	Turtle Creek	Cashew	B	20% Bamboo+20% Bamboo+60% Paper	17.13 oz/yd ² ±10%	0
23	Sutton	Stone	B	20% Bamboo+20% Bamboo+60% Paper	17.13 oz/yd ² ±10%	0
24	Devonshire	White Cap	B	20% Bamboo+20% Bamboo+60% Paper	17.13 oz/yd ² ±10%	0
25	Somerset	Gauntlet	B	20% Bamboo+20% Bamboo+60% Paper	17.13 oz/yd ² ±10%	0
26	Monticello	Dove	B	50% Bamboo+50% Bamboo	39.44 oz/yd ² ±10%	0
27	Catalina	Graphite	B	50% Bamboo+50% Paper	26.2 oz/yd ² ±10%	0
28	Oxford	Sandbar	B	6% Yarn+47% Paper+47% Bamboo	30.25 oz/yd ² ±10%	0
29	Regent	Cream	B	5% Yarn+95% Jute	15.1 oz/yd ² ±10%	0
30	Madison	Alpaca	C	5% Yarn+41% Jute+22% Special Yarn+22% Paper+10% Bamboo	13.08 oz/yd ² ±10%	0
31	Lexington	Snow	C	5% Yarn+80% Paper+10% Special Yarn+5% Bamboo	19.24 oz/yd ² ±10%	0
32	Amalfi	Black Coffee	C	45% Yarn+40% Jute+15% Bamboo	26.37 oz/yd ² ±10%	0
33	Delaney	Cityscape	C	10% Yarn+75% Jute+15% Cotton Thread	13.12 oz/yd ² ±10%	0
34	Sunset	Coconut	C	5% Yarn+60% Jute+35% Jute	14.89 oz/yd ² ±10%	0
35	Bay Shore	Shiitake	C	50% Bamboo+50% Vietnam Grass	41.13 oz/yd ² ±10%	0
36	Lombard	Smudge	C	50% Bamboo+50% Vietnam Grass	44.34 oz/yd ² ±10%	0
37	Mission	Firewood	C	5% Yarn+63% Jute+32% Bamboo	29.11 oz/yd ² ±10%	0
38	Wilshire	Midnight	C	5% Yarn+70% Jute+25% Ramie	12.74 oz/yd ² ±10%	0
39	Laurel	Honey	C	14% Bamboo+14% Kenaf+72% Paper Yarn	13.37 oz/yd ² ±10%	1
40	Ventura	Lace	C	40% Bamboo+20% Paper Cord+40% Linen	22.61 oz/yd ² ±10%	2
41	Ashford	Taupe	C	10% Bamboo+90% Linen	12.19 oz/yd ² ±10%	1
42	Maestro	White Natural	C	80% Linen+20% Jute	7 oz/yd ² ±10%	1
43	Kingsway	Heather	C	10% Bamboo+90% Linen	12.19 oz/yd ² ±10%	1

NO	PATTERN NAME	PATTERN COLOR	PRICE GROUP	MATERIAL	WEIGHT OZ/YD ²	EDGE BINDING RECOMMENDATION *
44	Silk Road	Onyx	C	40% Bamboo+20% Bamboo+40% Paper Cord	36.07 oz/yd ² ±10%	0
45	Cambridge	Mimosa	C	40% Bamboo+20% Bamboo+40% Paper Cord	36.07 oz/yd ² ±10%	0
46	Aspen	Sandstone	C	50% Bamboo+50% Jute Rope	36.07 oz/yd ² ±10%	0
47	Sydney	Iron	C	50% Bamboo+50% Jute Rope	36.07 oz/yd ² ±10%	0
48	Breckinridge	Linen	C	50% Bamboo+50% Jute Rope	36.07 oz/yd ² ±10%	0
49	Highland	Flax	C	30% Paper+70% Linen	9.15 oz/yd ² ±10%	1
50	Nottingham	Coffee	C	20% Paper+80% Linen	10.8 oz/yd ² ±10%	1
51	Zealand	Ivory	C	50% Paper Cord+50% Bamboo	29.07 oz/yd ² ±10%	0
52	Chaparral	Biscotti	C	50% Paper Cord+50% Bamboo	29.07 oz/yd ² ±10%	0
53	Phoenix	Opaline	C	50% Paper Cord+50% Bamboo	29.07 oz/yd ² ±10%	0
54	Lauderdale	Fog	C	100% Bamboo	23.46 oz/yd ² ±10%	0
55	Sante Fe	Khaki	C	95% Linen+5% Jute Thread	7.93 oz/yd ² ±10%	0
56	Sedona	Ink	C	100% Kenaf	27.04 oz/yd ² ±10%	1
57	Brookside	Bronze	C	100% Kenaf	21.52 oz/yd ² ±10%	1
58	Durango	Sunset	C	100% Jute	21.81 oz/yd ² ±10%	1
59	Ashland	Maplewood	C	100% Jute	18.56 oz/yd ² ±10%	1
60	Jamestown	Woodland	C	100% Jute	22.36 oz/yd ² ±10%	1
61	Boreas	Sun-bleached	C	90% Linen+5% Jute+5% Reed	13.67 oz/yd ² ±10%	1
62	Natchez	Urban	C	70% Bamboo+30% Jute	44.21 oz/yd ² ±10%	0
63	St George	Almond	D	5% Yarn+95% Jute	24.64 oz/yd ² ±10%	0
64	Desert Pine	Buff	D	50% Wood Fiber+50% Bamboo	23.46 oz/yd ² ±10%	0
65	Biscayne	Greige	D	50% Wood Fiber+50% Bamboo	23.46 oz/yd ² ±10%	0
66	Dalton	Birchwood	D	12% Wood Fiber+12% Bamboo+76% Linen	16.58 oz/yd ² ±10%	2
67	Bal Harbour	Off White	D	33% Bamboo+67% Jute Rope	30.63 oz/yd ² ±10%	0
68	Camden	Carmel	D	33% Bamboo+67% Jute Rope	30.63 oz/yd ² ±10%	0
69	Augusta	Macadamia	D	90% Linen+10% Reed	15.19 oz/yd ² ±10%	1
70	Mystic	Oatmeal	D	100% Jute	29.45 oz/yd ² ±10%	0
71	Essex	Dijon	D	100% Jute	23.75 oz/yd ² ±10%	0
72	Monterey	Café	D	100% Jute	18.82 oz/yd ² ±10%	1
73	Richmond	Keystone	D	90% Linen+5% Bamboo+5% Reed	14.89 oz/yd ² ±10%	1
74	Trafalgar	Jasper	D	5% Bamboo+95% Ramie	37 oz/yd ² ±10%	0
75	Stockton	Granite	E	60% Kenaf+40% Bamboo	28.6 oz/yd ² ±10%	2
76	Brunswick	Black Lace	E	25% Bamboo+50% Bamboo+25% Jute	43.24 oz/yd ² ±10%	2
77	Westwood	Silvermist	E	18% Bamboo+82% Kenaf	22.02 oz/yd ² ±10%	2
78	Whitehall	Parchment	E	40% Ramie+60% Jute	22.11 oz/yd ² ±10%	2
79	Martin Place	Snowdrift	E	100% Ramie	31.26 oz/yd ² ±10%	2
80	Camden	Pewter	F	50% Ramie+50% Paper Yarn	9.62 oz/yd ² ±10%	2
81	Mayfair	Ash	F	30% Bamboo+70% Ramie Yarn	23.2 oz/yd ² ±10%	2
82	Presidio	Tuxedo	F	100% Ramie	11.18 oz/yd ² ±10%	2
83	Excelsior	Steel	F	100% Ramie	11.18 oz/yd ² ±10%	2
84	Santa Monica	Champagne	F	95% Linen+5% Reed Stalk	17.8 oz/yd ² ±10%	1
85	Arcadia	Chalk	F	50% Bamboo+50% Ramie	64.67 oz/yd ² ±10%	0

* EDGE BINDING RECOMMENDATION:

0 - No Edge Binding Required

1 - Edge Binding Recommended

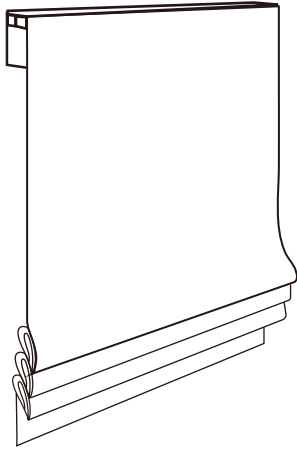
2 - Edge Binding Required

SYSTEM	MINIMUM WIDTH	MAXIMUM WIDTH	MINIMUM HEIGHT	MAXIMUM HEIGHT	IB DEDUCTION (width)	FLUSH IB DEPTH ¹ (top mount w /brkt)	MINIMUM IB DEPTH (top mount w /brkt)
CORDLESS	15"	96"	18"	106"	3/16"	2 1/8"	1 5/8"
CORDLESS TWIN	15"	96"	18"	106"	3/16"	3 3/4"	1 5/8"
CLUTCH and LOOP	14"	96"	18"	118"	3/16"	2 5/8"	1 5/8"
CORDLESS TDBU	18"						
WAND CONTROL	23"	96"	18"	118"	3/16"	2 5/8"	1 5/8"
STANDARD LITHIUM ION	25 1/4"	96"	18"	118"	3/16"	2 5/8"	1 5/8"
STANDARD DC MOTOR	12 3/4"	96"	18"	118"	3/16"	2 5/8"	1 5/8"
STANDARD AC MOTOR	25 1/4"	96"	18"	118"	3/16"	2 5/8"	1 5/8"
POWER LIFT - QUIET	25 1/4"	96"	18"	118"	3/16"	2 5/8"	1 5/8"
SHORT LITHIUM ION - QUIET	23"	96"	18"	118"	3/16"	2 5/8"	1 5/8"
MULTIPLE SHADES ON ONE HR	-	118" total	-	-	-	-	-
COMMON VALANCE	-	96"	-	-	-	-	-

Flush IB depth is head rail depth plus 1" when using standard bracket. Exact measurement will vary slightly based upon fabric thickness.

NO	MATERIAL	LINERS TYPE	COLOR
BL1	100% Polyester	Blackout Liners	White
BL2	100% Polyester	Blackout Liners	Off White
BL3	100% Polyester	Blackout Liners	Light Gray
BL4	100% Polyester	Blackout Liners	Camel
BL5	100% Polyester	Blackout Liners	Cream
BL6	100% Polyester	Blackout Liners	Dark Gray
BL7	100% Polyester	Blackout Liners	Taupe
BL8	100% Polyester	Blackout Liners	Dark Brown
BL9	100% Polyester	Blackout Liners	Black
LF1	100% Cotton	Light Filtering Liners	White
LF2	100% Cotton	Light Filtering Liners	Off White
LF3	100% Cotton	Light Filtering Liners	Camel
LF4	100% Cotton	Light Filtering Liners	Light Gray
LF5	100% Cotton	Light Filtering Liners	Dark Gray
LF6	100% Cotton	Light Filtering Liners	Taupe
LF7	100% Cotton	Light Filtering Liners	Dark Brown
LF8	100% Cotton	Light Filtering Liners	Black
LF9	100% Cotton	Light Filtering Liners	Cream

NO	MATERIAL	EDGE BINDINGS	COLOR
E1	60% Linen+40% Cotton	Edge Bindings	White
E2	60% Linen+40% Cotton	Edge Bindings	Dark Brown
E3	60% Linen+40% Cotton	Edge Bindings	Dark Gray
E4	70% Ramie+30% Cotton	Edge Bindings	Off White
E5	70% Ramie+30% Cotton	Edge Bindings	Cream
E6	70% Ramie+30% Cotton	Edge Bindings	Light Gray
E7	70% Ramie+30% Cotton	Edge Bindings	Camel
E8	70% Ramie+30% Cotton	Edge Bindings	Black
E9	70% Ramie+30% Cotton	Edge Bindings	Navy
E10	60% Linen+40% Cotton	Edge Bindings	Light Brown



WATERFALL

- **Hidden-Headrail Design:**

Fabric flows smoothly from the front of the headrail for a tidy look.

- **Discreet Cord Management:**

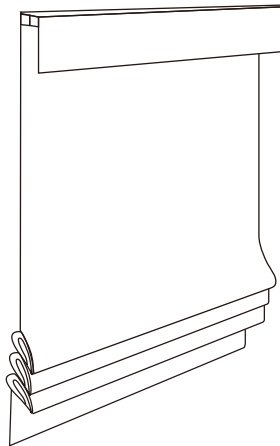
Lift cords are positioned behind the shade to reduce visual clutter.

- **Inside-Mount Ready:**

Includes a valance on the back side to fully conceal all mounting hardware.

- **Bottom Bar:**

The bottom bar features a designer finish with matching fabric. This design integrates the bar visually with the shade for a uniform color and texture.



FLAT FOLD

- **Elegant Fabric Drape:**

The fabric flows from behind the headrail, ensuring it rests in a crisp, flat plane when fully lowered.

- **Front-Access Cords:**

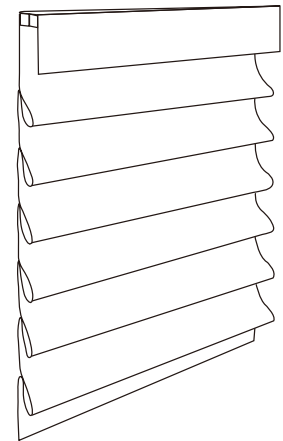
All lift cords for manual operation are conveniently positioned at the front for easy access.

- **Integrated Valance:**

A matching valance cleanly conceals all mounting hardware for a finished look.

- **Bottom Bar:**

The bottom bar features a designer finish with matching fabric. This design integrates the bar visually with the shade for a uniform color and texture.



HOBBLED

- **Signature Cascading Design:**

Engineered to drape from the headrail, it impeccably preserves its elegant hobbled structure at any height.

- **Effortless at Your Fingertips:**

Lift cords are strategically placed at the front, transforming daily operation into an act of seamless ease.

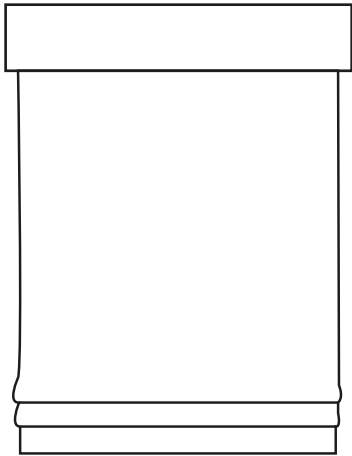
- **Architectural-Grade Finish:**

The custom valance doesn't just cover, it integrates, ensuring all hardware disappears from view for a pure, custom-built aesthetic.

- **Bottom Bar:**

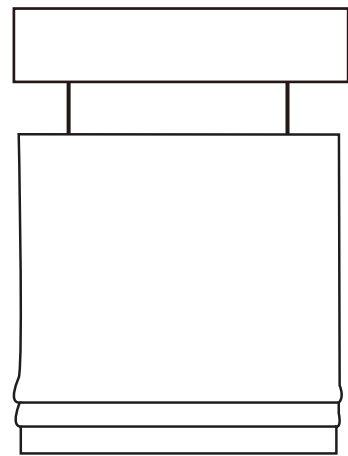
The bottom bar features a designer finish with matching fabric. This design integrates the bar visually with the shade for a uniform color and texture.

LIFT STYLE



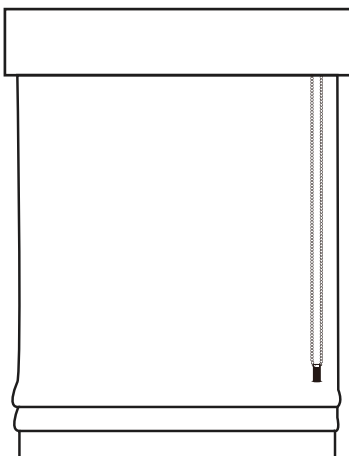
Standard Cordless:

- The free-stop shade can be set at any point with a simple push or pull of the bottom bar. It provides ultimate flexibility in managing light and privacy throughout the day.
- Combining elegant style with a child-safe design, the shades eliminate hazardous cords to ensure peace of mind in homes with children and pets.



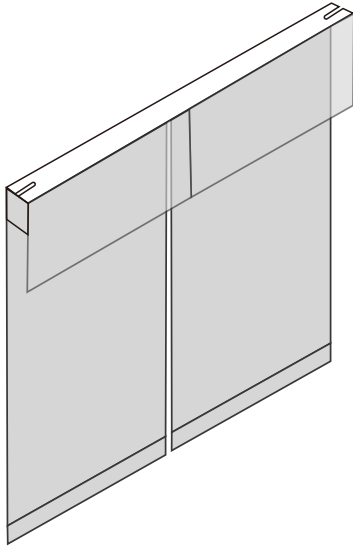
Top Down Bottom Up (TDBU):

- This dual-operation shade can be lowered from the top to invite light in while maintaining privacy.
- Raise it from the bottom for a full, unobstructed panoramic view.
- We advise pairing it with a valance to achieve a polished and finished look.



Clutch Loop:

- The shade deploys and retracts from the bottom.
- The shade lowers from and raises to the bottom.



2 ON 1 (SEPARATE SYSTEM)

- **Dual Operating Modes:**

Each shade works independently, allowing for customized light control and privacy throughout the day.

- **Diverse Function:**

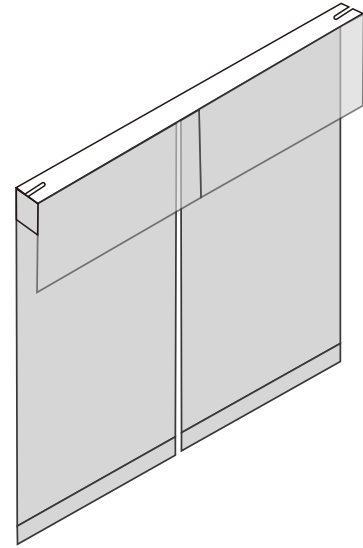
Each available with your choice of operating system, from sleek cordless, clutch loop to modern powerwand and motorization.

- **Sleek, Single Headrail Design:**

Two shades are integrated into one clean, continuous headrail for a streamlined look.

- **Customizable Style:**

Personalize your window covering with choices of Flat Fold, Waterfall or Hobbled styles.



2 ON 1 (MIDDLE MECHANISM)

- **Unified Control System:**

A single clutch or motor operates both shades, significantly reducing hardware costs and simplifying assembly.

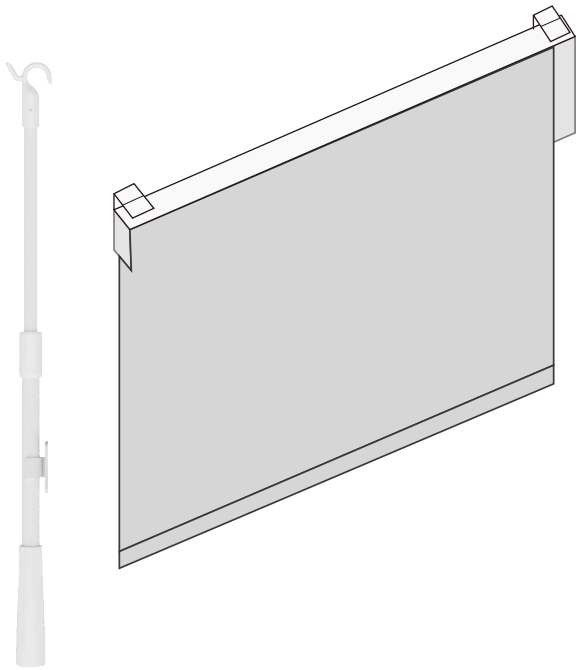
- **Enhanced Light Sealing:**

Minimized fabric deductions create a tighter seal, effectively mitigating light leakage.

- **Perfect Synchronization:**

Both shades respond to a single command, ensuring they start and stop in perfect unison for a flawless appearance.

OPERATION STYLE



Cordless Wand

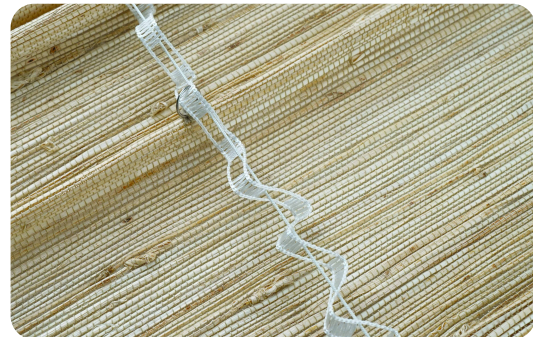
CORDLESS

- Achieve perfect lighting with an effortless gesture. This cordless shade glides smoothly to your desired position with a gentle nudge, creating a sleek, uncluttered look. The absence of loose cords provides a safer environment for homes with children and pets, offering peace of mind alongside elegant style.
- Available in Flat Fold, Waterfall, Hobbled styles.
- Available as 2-on-1 headrails (Separate system only).

CORDLESS CONTROL



SPRING SYSTEM



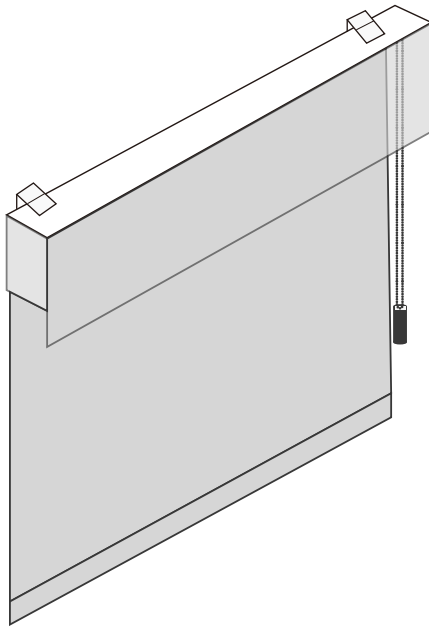
SAFETY ROPE LOOP



HOLD DOWNS

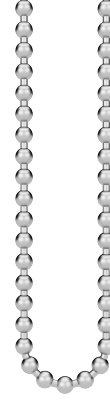
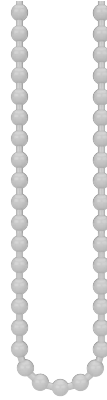
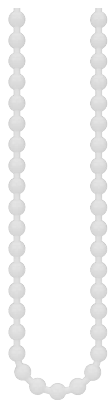


LINE RECEIVER



CLUTCH LOOP

- Effortless shade adjustment is achieved through a continuous bead chain loop. For added safety, a chain handle is included as standard to secure the chain and prevent loose hanging.
- Available in Flat Fold, Waterfall, Hobbled styles.
- Available as 2-on-1 headrails.



White

Beige

Gray

Black

Brown

Steel

MOTORIZED OPERATION

Ronco Drive System.

Quiet motors. Honest support. Dealer-first.

Superior’s motorized woven wood shades run on the Ronco drive system. We chose Ronco because the 25mm motor family covers every tube diameter in the woven line, controls pair without a Wi-Fi headache, and parts stay in stock. This section covers the four motor SKUs we carry, the six controls that drive them, and the smart-home accessories.

BATTERY

Li-ion, 2-cell

RM25-LAQ (1.1Nm)
RM25-LET (0.3Nm short)

For most retrofits. No cord run, solar-panel compatible.

AC PLUG-IN

110-240V

RM25-IE-W1-1.5/20

High torque, continuous duty. IP30, Class A insulation.

LOW-VOLTAGE

12V DC

RM25-OEC-W1-1.1/20

Low-voltage rail installs. Class 2 wiring, 24V adapter.

WHY RONCO

ONE MOTOR FAMILY

25mm across battery, AC, and low-voltage — one tube spec fits every woven shade install.

QUIET BY DEFAULT

30–38 dB operating noise — well under the industry 45 dB bar for residential installs.

STOCK, NOT BACKORDER

Ronco holds distributor inventory in North America. No 10-week factory waits.

DEALER-SUPPORTED

Warranty claims go through Superior, not through a foreign motor brand’s portal.

IN THIS SECTION

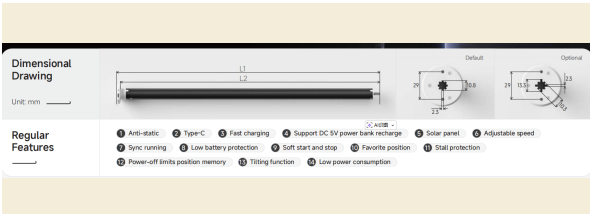
Motors · Controls · Accessories

hello@superiorwindowcoverings.us

RONCO MOTORS

Motors.

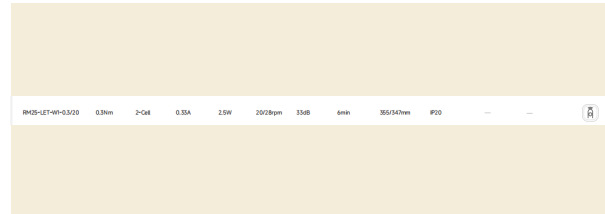
Four SKUs cover every Superior woven shade install. Spec by fabric weight and power source.



RM25-LAQ-W1-1.1/20 25mm Battery Motor · Standard

Torque	1.1 Nm	Battery	2-Cell Li-ion
Speed	20 / 28 rpm	Noise	32 dB
Run time	6 min @ full	Length L1/L2	485 / 477 mm
Protection	IP20	Charging	5V 2A · USB-C

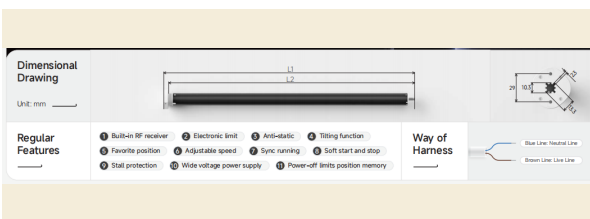
Standard battery motor. Default spec for retrofits and installs without an outlet.



RM25-LET-W1-0.3/20 25mm Battery Motor · Shortest

Torque	0.3 Nm	Battery	2-Cell Li-ion
Speed	20 / 28 rpm	Noise	33 dB
Run time	6 min @ full	Length L1/L2	355 / 347 mm
Protection	IP20	Charging	5V 2A · USB-C

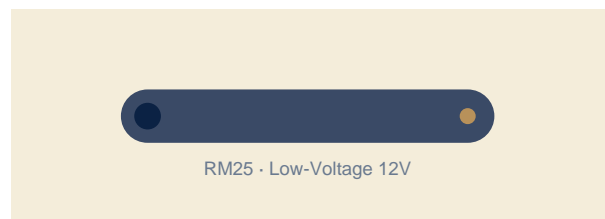
Shortest tube footprint in the family. Use on narrow windows and tight installs.



RM25-IE-W1-1.5/20 25mm AC Plug-in Motor · 110-240V

Torque	1.5 Nm	Voltage	AC 100-240V
Speed	20 / 28 rpm	Noise	38 dB
Power	14.4 W	Length L1/L2	514 / 505 mm
Protection	IP30	Insulation	Class A

High-torque AC motor. Continuous duty, ideal for commercial and large jobs.



RM25-OEC-W1-1.1/20 25mm Low-Voltage Motor · 12V DC

Torque	1.1 Nm	Voltage	12V DC
Speed	20 / 28 rpm	Noise	36 dB
Power	10.8 W	Length L1/L2	325 / 317 mm
Protection	IP20	Wiring	Class 2

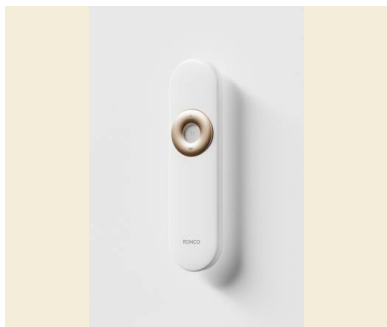
Low-voltage for multi-motor installs. Pairs with Ronco Low-Voltage Panel on a single run.

REMOTES & WALL SWITCHES

Controls.

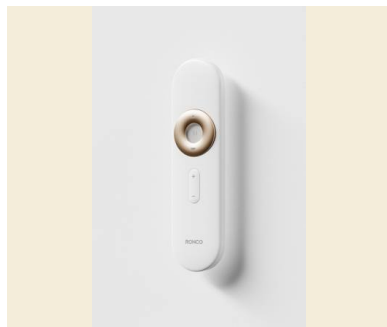
Pair any control with any Ronco motor. Program up to 15 channels per remote.

REMOTES



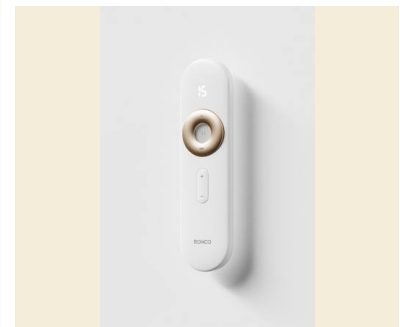
RE301
Single-Channel Remote

- 1 channel
- RF 433MHz
- 2x AAA
- Pair via motor



RE302
Dual-Channel Remote

- 2 channels
- RF 433MHz
- 2x AAA
- Pair via motor



RE315
15-Channel Remote

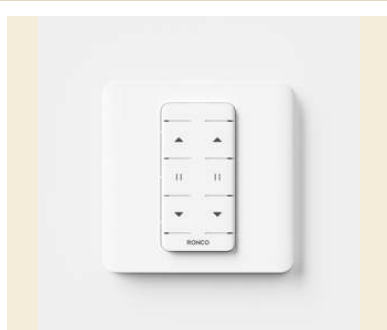
- 15 channels
- OLED display
- 2x AAA
- Group assign

WALL SWITCHES



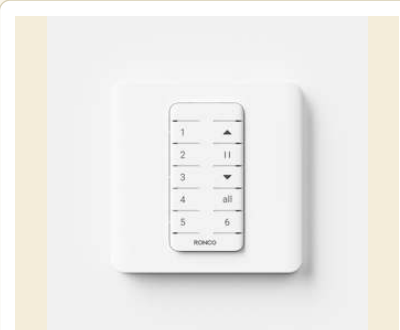
RE201
Single-Channel Wall Switch

- 1 channel
- 86mm EU plate
- CR2450
- Surface mount



RE202
Dual-Channel Wall Switch

- 2 channels
- 86mm EU plate
- CR2450
- Surface mount



RE206
6-Channel Wall Switch

- 6 channels
- 86mm EU plate
- CR2450
- Surface mount

ACCESSORIES

Smart home & power.

Optional accessories that extend the Ronco system into smart home and power delivery.



RE500

Ronco Wi-Fi Hub

PAIRS

Alexa · Google · Ronco App

POWER

USB-C 5V 2A

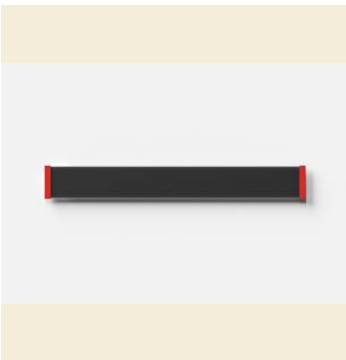
CONNECTIVITY

Wi-Fi 2.4GHz + RF

CAPACITY

Up to 30 motors

Required for app control, scenes, and voice integration. One hub per household.



REP130

Solar Panel

VOLTAGE

5V DC

MOUNT

Indoor window-face

CABLE

3 m

PAIRS WITH

All RM25 battery motors

Trickle-charges battery motors off ambient window light. Eliminates recharge cycles on south-facing windows.



Low-Voltage Panel

OUTPUT

12V DC

PAIRS WITH

RM25-OEC 12V motors

CHANNELS

Multi-drop rail

INSTALL

Recessed / on-wall

Power distribution for multi-motor 12V installs. One panel can drive a whole room.

PAIRING OR CONFIG QUESTION?

Call your rep. Same-day callback.

hello@superiorwindowcoverings.us

VALANCE

Beyond mere aesthetics, the valance acts as a critical design element. It seamlessly integrates the shade into the room's decor by hiding the mechanical components, ensuring a smooth, uninterrupted visual flow from the fabric to the architecture.



Valance Height Standard

Shade Height \leq 59", Valance Height=6"

59" < Shade Height \leq 86 5/8", Valance Height=8"

86 5/8" < Shade Height \leq 118", Valance Height=12"

Custom Valance Height

The height of the valance is fully customizable. It can be tailored precisely to your window dimensions and design vision. Please indicate your preferred measurement during the ordering process for a perfect finish.



Valance Only

We also offer a valance-only service, perfect for when you need a finishing touch or a stylish accent to complement existing window coverings. You can order just the valance to refresh your decor without replacing the entire setup.



Back Valance

The back valance provides a sleek, finished front profile by hiding all mechanical parts. This design offers a minimalist and architecturally integrated appearance.

Lined Valance

A single-layer valance allows light to filter through, but a lined valance completely conceals the mechanical parts.



Valance Returns

Valance Returns are a complimentary feature on all woven shades, available only upon request, with a height that matches the valance itself.

Short Valance Returns

Shorter returns are designed to maintain a continuous visual plane. This creates a sleeker side appearance and eliminates the functional issue of the raised shade hitting and pushing out the returns.



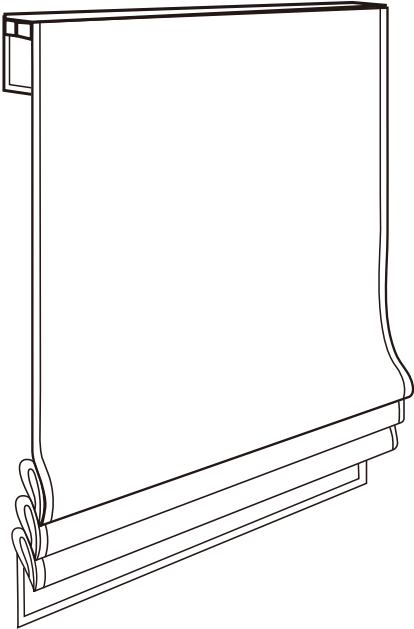


EDGE BINDING FEATURES

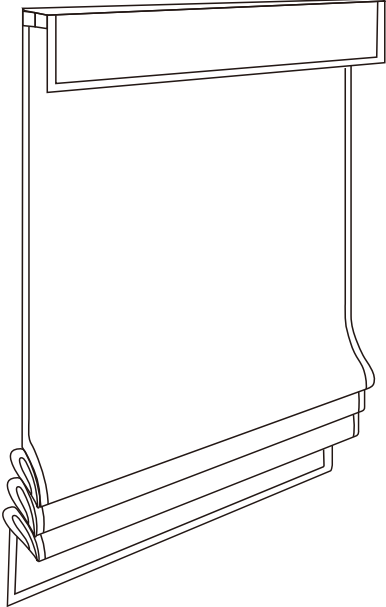
Edge Binding serves as both a functional and aesthetic finishing detail for woven shades made of natural materials like bamboo, reeds, or grasses.

- All edge bindings will be approximately 1/2" wide on the face of the shades.
- Available on all woven material, refer color charts for availability.
- For recommended application, please refer to the Materials Reference table. Some patterns are advised to include edge binding, as noted in the table.

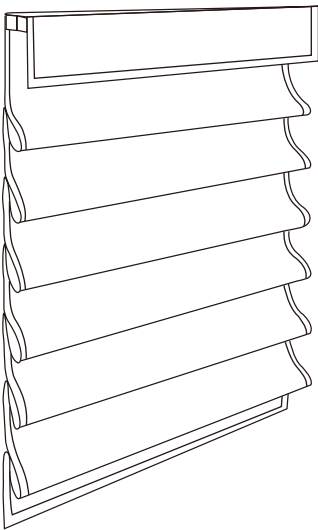
EDGE BINDING STYLE



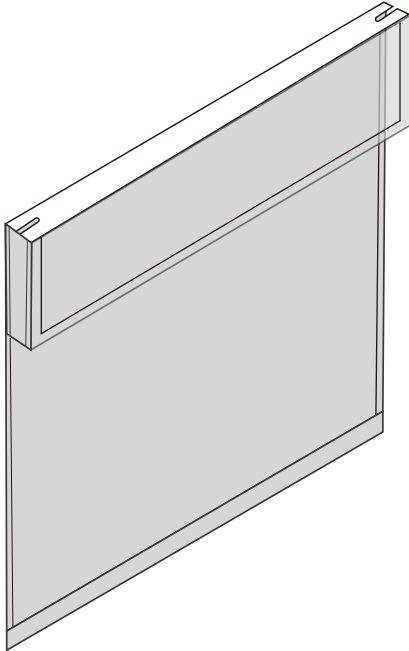
Waterfall



Flat Fold



Hobbled



Valance Returns

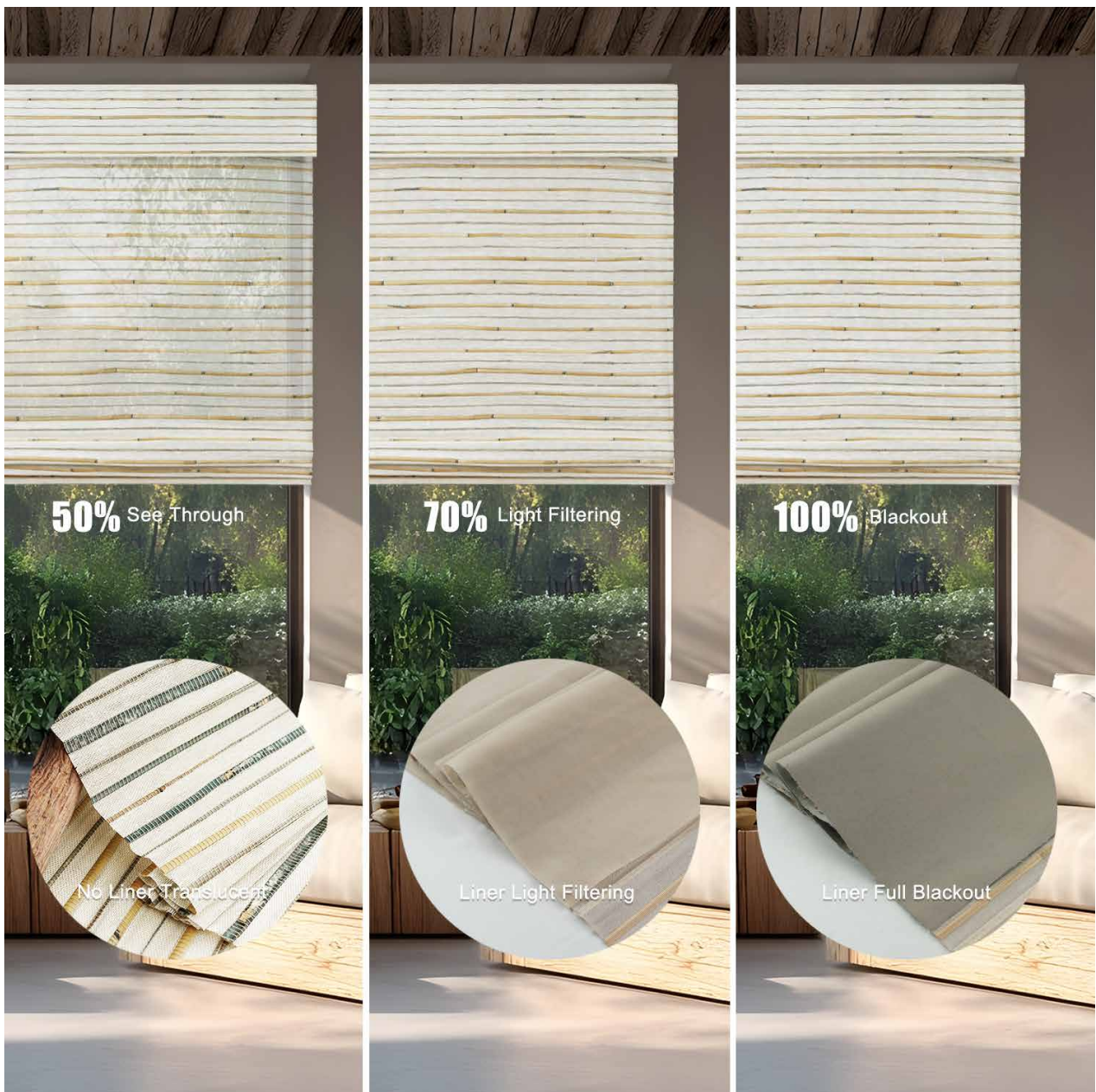
LINER

The application of a backing liner is a critical component in elevating the performance of natural woven shades. It transforms them from purely decorative window treatments into functional window coverings. The liner acts as a barrier that addresses the inherent openness of the woven structure.

When liner is selected, both shades and valance will come with liner.

Available on all woven material, refer color charts for availability.

Type:



ATTACHED LINERS

Our shades feature an attached liner option, where the backing is permanently and neatly integrated behind the main fabric for a clean, finished look. This construction ensures both durability and a seamless layered appearance from the interior side.

MOVABLE LINERS

Movable liner shades (also known as dual or twin systems) feature two independent layers, a primary shade and a separate operable liner, each with its own control mechanism. These controls can be positioned on the same or opposite sides and may incorporate a combination of cordless, clutch, or automatic operation. The liner's chain loop is always discreetly housed behind the front shade.

Please note that the headrail for this system is deeper (around 3 1/8") to house the dual operating hardware . This configuration is not compatible with TDBU setups.

Options:

NO	MATERIAL	COLOR
BL1	100% Polyester	White
BL2	100% Polyester	Off White
BL3	100% Polyester	Light Gray
BL4	100% Polyester	Camel
BL5	100% Polyester	Cream
BL6	100% Polyester	Dark Gray
BL7	100% Polyester	Taupe
BL8	100% Polyester	Dark Brown
BL9	100% Polyester	Black
LF1	100% Cotton	White
LF2	100% Cotton	Off White
LF3	100% Cotton	Camel
LF4	100% Cotton	Light Gray
LF5	100% Cotton	Dark Gray
LF6	100% Cotton	Taupe
LF7	100% Cotton	Dark Brown
LF8	100% Cotton	Black
LF9	100% Cotton	Cream

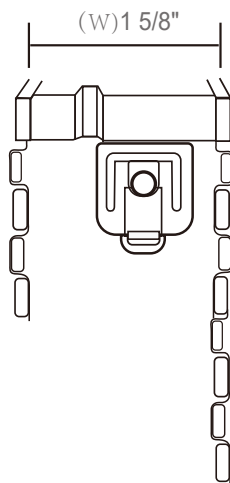
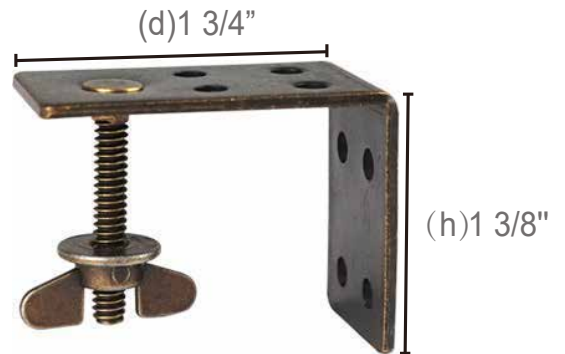


SPECIFICATIONS

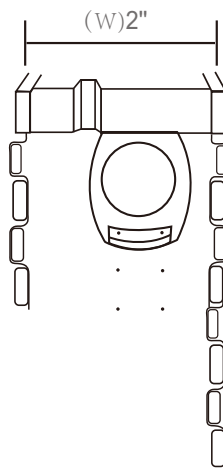
• Bracket Dimensions

Height: 1 3/8"

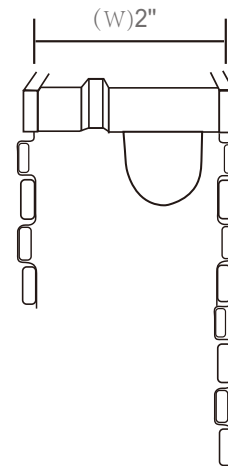
Depth: 1 3/4"



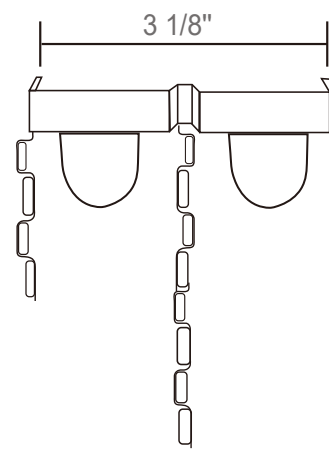
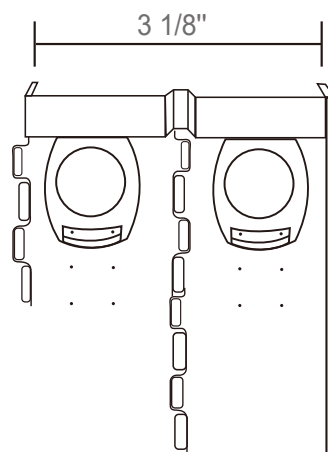
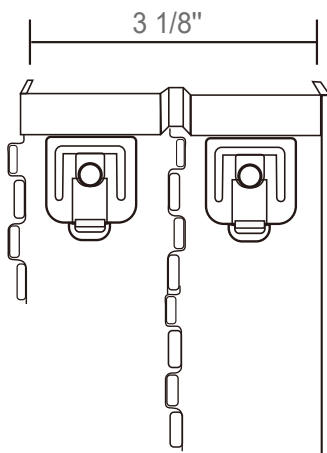
Cordless



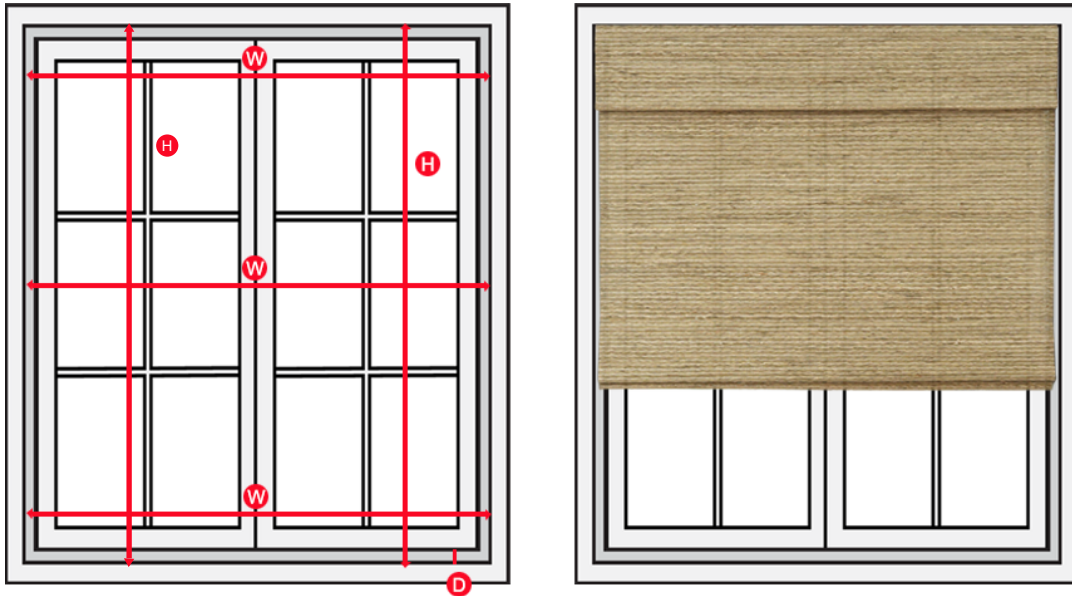
Clutch Loop



Motorization



INSIDE MOUNT



For inside-mount shades, precision measurement is essential. Fortunately, there are three simple steps to getting measurements:

- The width of the window frame can be measured in three places: at the top, center, and bottom of the frame. Some windows aren't perfect, and that's why. Take the smallest of the three width measurements, rounded down to the nearest $\frac{1}{8}$ ".
- To get an accurate height measurement, stand with your back to a wall and take two separate measurements on each side. Take the smallest of the two width measurements, rounded down to the nearest $\frac{1}{8}$ ".
- Determine the maximum depth of the blinds by measuring the depth of the window. Minimum 1 $\frac{5}{8}$ " of window frame depth required.

Additional Considerations:

- Please use the exact measurements.
- Make sure your window has sufficient depth (min. 2 $\frac{5}{8}$ ") to support a flush inside installation.

NATURAL WOVEN WOOD SHADES WARRANTY

Limited Lifetime Warranty Coverage

- This product is warranted against defects in materials and workmanship under the following conditions:
- All manufacturer recommendations regarding product limitations and specifications have been followed.

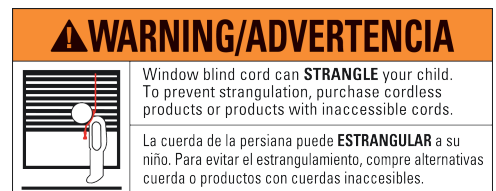
The manufacturer reserves the sole right to determine whether a repair or partial replacement of parts is warranted. If necessary, the manufacturer will replace the shade with a new one of equal or greater value. This replacement constitutes your exclusive remedy under the terms of this warranty.

Exclusions & Limitations

- All motors, controls, and accessories are covered by a separate warranty valid for five (5) years from the original date of purchase.
- Failure to correctly install, charge, operate, or maintain motors, remotes, wands, or hubs as instructed will void their warranty.
- This warranty is valid only for the original retail purchaser and requires proof of purchase.
- This warranty does not cover.
 - (1) Costs associated with the removal or installation of original or replacement shades.
 - (2) Any damage or defects resulting from.
 - (3) Improper maintenance, neglect, misuse, or abuse.
 - (4) Normal wear and tear.
 - (5) Accidents, alterations, or commercial use.
 - (6) Improper installation, removal, or reinstallation.
 - (7) Exposure to excessive moisture.

Your Rights Under State Law

This warranty provides you with specific legal rights, which may vary from state to state. The manufacturer shall not be liable for any incidental, consequential, direct, or indirect damages, losses, costs, expenses, or fees. Some states do not permit the exclusion or limitation of such damages, so the above limitations may not apply to you. This warranty is exclusive and supersedes all other obligations, liabilities, disclaimers, or warranties.





SUPERIOR

WINDOW COVERINGS

*Built for the dealers the
big brands forgot.*

DEALER SUPPORT

Call your Superior rep for pattern samples, trade pricing, and lead times.

CONTACT

hello@superiorwindowcoverings.us
superiorwindowcoverings.us
Mon–Fri · 8am–6pm CT

MOTORIZATION

Ronco RM25 motors, controls, and RE500 hub. See the Motorization chapter.